



RCA3

SOLENOID PILOT VALVES

GOYEN - RCA3 SOLENOID PILOT VALVES

PRODUCT LEAFLET

RCA3D - REMOTE SOLENOID PILOT VALVE TO CONTROL THE ACTUATION OF DUST COLLECTOR DIAPHRAGM VALVES



INSTALLATION

Prepare pilot mounting hole in panel to \varnothing 19.3/19.4 (\varnothing 0.762"). Panel thickness must exceed 1.5 mm (0.062"). Ensure o-ring is in place before tightening locknut. Preferably, install pilot valves with solenoid on top. For reliable operation, ensure supply voltage is within -10% and +15% of rated solenoid voltage. Replace components within 1 million cycles (refer to Spare Parts).

CONSTRUCTION

Body: Aluminium (diecast)
Ferrule: 305 SS
Armature: 430FR SS
Seals: Nitrile or Viton
Locknut: Mild steel zinc passivated
Screws: 302 SS or 304 SS
Clip: Mild steel (plated)

DIMENSIONS AND WEIGHTS IN MM AND INCHES

SERIES	WEIGHT
RCA3D0, RCA3D1 (no solenoid)	0.174 kg/0.384 lb

OPERATION

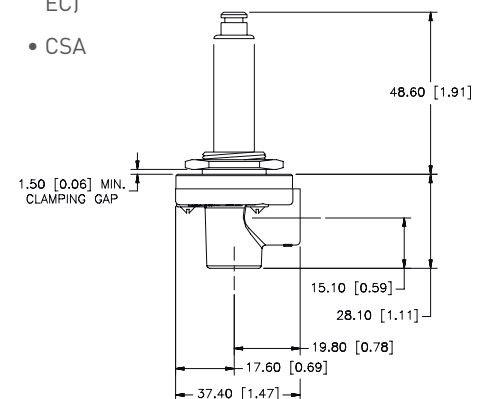
Recommended on time range: 50–500 ms
Recommended time between pulses: 1 minute or greater

OPTIONS

None

APPROVALS

- C-Tick
- CE – EMC (2004/108/EC) and LV (2006/95/EC)
- CSA



PRODUCT PERFORMANCE

FLOW	MAXIMUM WORKING PRESSURE	MINIMUM WORKING PRESSURE	TEMPERATURE MIN	TEMPERATURE MAX	FLUID MEDIA
0.32 Cv/ 0.27 Kv	860 kPa/ 125 psi	0 kPa/0 psi	-40°C/-40°F	82°C/180°F	Air or inert gas

ORDER CODE*

MODEL	THREAD TYPE	ORIFICE SIZE
RCA3D0-...	1/8" NPT	3.2 mm [0.126"]
RCA3D1-...	1/8" BSPP	3.2 mm [0.126"]

SPARE PARTS

K0380	Nitrile replacement seal, armature, spring & ferrule kit.
K0384	As above in viton.

SUITABLE FOR

All Goyen dust collector diaphragm valves.

* Please refer to Q Series Solenoid product data sheet on page 3 for information on electrical characteristics and to complete the order code, e.g. 1 8" NPT pilot valve with 240 VAC solenoid = RCA3D0-300

GOYEN - RCA3

SOLENOID PILOT VALVES

PRODUCT LEAFLET

ORDER CODE AND ELECTRICAL CHARACTERISTICS

RCA3D0 Series = 1/8" NPT

MODEL	CONNECTION TYPE	PROTECTION CLASS	VOLTAGE	POWER
RCA3D0-300	DIN 43650A	IP65	200/240 V 50/60 Hz	17.4/22.6 V A
RCA3D0-301	DIN 43650A	IP65	100/120 V 50/60 Hz	15.2/19.7 V A
RCA3D0-302	DIN 43650A	IP65	24 V 50/60 Hz	23.1/17.2 V A
RCA3D0-303	DIN 43650A	IP65	110 V DC	24 W
RCA3D0-304	DIN 43650A	IP65	48 V DC	20 W
RCA3D0-305	DIN 43650A	IP65	24 V DC	20 W
RCA3D0-306	DIN 43650A	IP65	12 V DC	20 W
RCA3D0-310	Conduit (M20 × 1.5)	IP31	200/240 V 50/60 Hz	17.4/22.6 V A
RCA3D0-311	Conduit (M20 × 1.5)	IP31	100/120 V 50/60 Hz	15.2/19.7 V A
RCA3D0-312	Conduit (M20 × 1.5)	IP31	24 V 50/60 Hz	23.1/17.2 V A
RCA3D0-313	Conduit (M20 × 1.5)	IP31	24 V DC	20 W
RCA3D0-314	Conduit (M20 × 1.5)	IP31	12 V DC	20 W
RCA3D0-320	Conduit (1/2" NPSC)	IP31	200/240 V 50/60 Hz	17.4/22.6 V A
RCA3D0-321	Conduit (1/2" NPSC)	IP31	100/120 V 50/60 Hz	15.2/19.7 V A
RCA3D0-322	Conduit (1/2" NPSC)	IP31	24 V 50/60 Hz	23.1/17.2 V A
RCA3D0-323	Conduit (1/2" NPSC)	IP31	24 V DC	20 W
RCA3D0-324	Conduit (1/2" NPSC)	IP31	12 V DC	20 W
RCA3D0-330	Screw / spade	NA	200/240 V 50/60 Hz	17.4/22.6 V A
RCA3D0-331	Screw / spade	NA	100/120 V 50/60 Hz	15.2/19.7 V A
RCA3D0-332	Screw / spade	NA	24 V 50/60 Hz	23.1/17.2 V A
RCA3D0-333	Screw / spade	NA	240 V DC	24 W
RCA3D0-334	Screw / spade	NA	110 V DC	24 W
RCA3D0-335	Screw / spade	NA	48 V DC	20 W
RCA3D0-336	Screw / spade	NA	24 V DC	20 W
RCA3D0-337	Screw / spade	NA	12 V DC	20 W
RCA3D0-340	Flying Lead	IP64	200/240 V 50/60 Hz	17.4/22.6 V A
RCA3D0-341	Flying Lead	IP64	100/120 V 50/60 Hz	15.2/19.7 V A
RCA3D0-342	Flying Lead	IP64	24 V 50/60 Hz	23.1/17.2 V A
RCA3D0-343	Flying Lead	IP64	24 V DC	20 W
RCA3D0-344	Flying Lead	IP64	12 V DC	20 W

Notes: RCA3D0-305 is an RCA3D remote pilot with 1/8" NPT threads and a 24 V DC DIN43650A connection.

GOYEN - RCA3

SOLENOID PILOT VALVES

PRODUCT LEAFLET

ORDER CODE AND ELECTRICAL CHARACTERISTICS

RCA3D1 Series = 1/8" BSPP

MODEL	CONNECTION TYPE	PROTECTION CLASS	VOLTAGE	POWER
RCA3D1-300	DIN 43650A	IP64	200/240 V 50/60 Hz	17.4/22.6 V A
RCA3D1-301	DIN 43650A	IP64	100/120 V 50/60 Hz	15.2/19.7 V A
RCA3D1-302	DIN 43650A	IP64	24 V 50/60 Hz	23.1/17.2 V A
RCA3D1-303	DIN 43650A	IP64	110 V DC	24 W
RCA3D1-304	DIN 43650A	IP64	48 V DC	20 W
RCA3D1-305	DIN 43650A	IP64	24 V DC	20 W
RCA3D1-306	DIN 43650A	IP64	12 V DC	20 W
RCA3D1-310	Conduit (M20 × 1.5)	IP31	200/240 V 50/60 Hz	17.4/22.6 V A
RCA3D1-311	Conduit (M20 × 1.5)	IP31	100/120 V 50/60 Hz	15.2/19.7 V A
RCA3D1-312	Conduit (M20 × 1.5)	IP31	24 V 50/60 Hz	23.1/17.2 V A
RCA3D1-313	Conduit (M20 × 1.5)	IP31	24 V DC	20 W
RCA3D1-314	Conduit (M20 × 1.5)	IP31	12 V DC	20 W
RCA3D1-320	Conduit (1/2" NPSC)	IP31	200/240 V 50/60 Hz	17.4/22.6 V A
RCA3D1-321	Conduit (1/2" NPSC)	IP31	100/120 V 50/60 Hz	15.2/19.7 V A
RCA3D1-322	Conduit (1/2" NPSC)	IP31	24 V 50/60 Hz	23.1/17.2 V A
RCA3D1-323	Conduit (1/2" NPSC)	IP31	24 V DC	20 W
RCA3D1-324	Conduit (1/2" NPSC)	IP31	12 V DC	20 W
RCA3D1-330	Screw / spade	NA	200/240 V 50/60 Hz	17.4/22.6 V A
RCA3D1-331	Screw / spade	NA	100/120 V 50/60 Hz	15.2/19.7 V A
RCA3D1-332	Screw / spade	NA	24 V 50/60 Hz	23.1/17.2 V A
RCA3D1-333	Screw / spade	NA	240 V DC	24 W
RCA3D1-334	Screw / spade	NA	110 V DC	24 W
RCA3D1-335	Screw / spade	NA	48 V DC	20 W
RCA3D1-336	Screw / spade	NA	24 V DC	20 W
RCA3D1-337	Screw / spade	NA	12 V DC	20 W
RCA3D1-340	Flying Lead	IP64	200/240 V 50/60 Hz	17.4/22.6 V A
RCA3D1-341	Flying Lead	IP64	100/120 V 50/60 Hz	15.2/19.7 V A
RCA3D1-342	Flying Lead	IP64	24 V 50/60 Hz	23.1/17.2 V A
RCA3D1-343	Flying Lead	IP64	24 V DC	20 W
RCA3D1-344	Flying Lead	IP64	12 V DC	20 W

Note: RCA3D1-331 is an RCA3D remote pilot with 1/8" BSPP threads and 110/240 V AC spade screw coil.

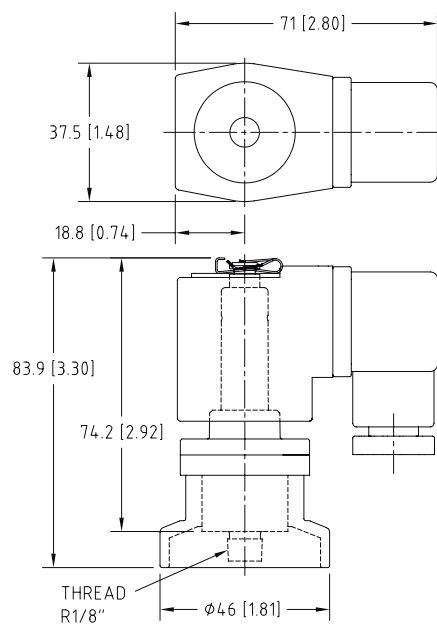
GOYEN - RCA3 SOLENOID PILOT VALVES

PRODUCT LEAFLET

RCA3DM - PILOT VALVE



DIMENSIONS IN MM (AND INCHES)



FOR INTEGRAL PILOT (CA) APPLICATIONS

The RCA3DM is a pilot valve with an integral silencer and dust shroud which mounts directly (screw-in) to the 4 series valve cover.

RCA3DM and RCA3PV are suitable piloting options for all 4 Series valves and the RCA35T diaphragm valve.

COIL CONSTRUCTION

Body: Aluminium (diecast)
Encapsulation: PA-66
C-Frame: Mild steel, zinc passivated
Bobbin: PA-66
Insulation class: B/130°C
IP Rating: IP65
Rating: Non-continuous use only
Clip: Mild steel (mechanically plated)

OPERATION

Recommended on time range: 50–500 ms
Recommended time between pulses:
 1 minute or greater

APPROVALS

- C-Tick
- EMC (89/336/CE)
- CE – EMC (2004/108/EC) and LV (2006/95/EC)
- CSA

SPARE PARTS

K0380	Nitrile replacement seal, armature, spring & ferrule kit.
K0384	As above in viton.

Please refer to next page for replacement coil options.

GOYEN - RCA3 SOLENOID PILOT VALVES

PRODUCT LEAFLET

RCA3DM - HOW TO ORDER

RCA 3 DM - 301	
Valve type RCA - Pilot valve - Remote-controlled air	Coil series 3 - Goyen 'Q' coil
Pilot size 3 - 1/8" Pipe thread	Body style DM - Male inlet, R 1/8" thread, suits all Series 4 RCAC valves

PRODUCT PERFORMANCE

FLOW	MAXIMUM WORKING PRESSURE	MINIMUM WORKING PRESSURE	TEMPERATURE MIN		TEMPERATURE MAX		FLUID MEDIA
			NITRILE	VITON	NITRILE	VITON	
0.32 Cv/0.27 Kv	860 kPa/125 psi	0 kPa/0 psi	-40°C/-40°F	-29°C/-20°F	82°C/180°F	232°C/450°F	Air or inert gas

ELECTRICAL CHARACTERISTICS

DIN SOCKET CONNECTOR	Pg9 connection (cable entry)
DIN SOCKET SPECIFICATION	EN175301 - 803 (previously DIN 43650A) / A/ISO 4400
DIN SOCKET OPTIONAL	94/9/CE ATEX II 3GD T6
ISOLATION CLASS DIN SOCKET	VDE 0110 - 1/89
DIN SOCKET PROTECTION	IP65 EN60529

MODEL	TYPE	CONNECTION TYPE	PROTECTION CLASS	VOLTAGE	POWER	COLOUR
300	QR	DIN 43650A	IP64	200/240 V 50/60 Hz	17.4/22.6 V A	Grey
301	QR	DIN 43650A	IP64	100/120 V 50/60 Hz	15.2/19.7 V A	Grey
302	QR	DIN 43650A	IP64	24 V 50/60 Hz	23.1/17.2 V A	Grey
303	QR	DIN 43650A	IP64	110 V DC	24 W	Grey
304	QR	DIN 43650A	IP64	48 V DC	20 W	Grey
305	QR	DIN 43650A	IP64	24 V DC	20 W	Grey
306	QR	DIN 43650A	IP64	12 V DC	20 W	Grey
310	QD	Conduit (M20 × 1.5)	IP31	200/240 V 50/60 Hz	17.4/22.6 V A	Green
311	QD	Conduit (M20 × 1.5)	IP31	100/120 V 50/60 Hz	15.2/19.7 V A	Green
312	QD	Conduit (M20 × 1.5)	IP31	24 V 50/60 Hz	23.1/17.2 V A	Green
313	QD	Conduit (M20 × 1.5)	IP31	24 V DC	20 W	Green
314	QD	Conduit (M20 × 1.5)	IP31	12 V DC	20 W	Green
320	QD	Conduit (1/2" NPSC)	IP31	200/240 V 50/60 Hz	17.4/22.6 V A	Green
321	QD	Conduit (1/2" NPSC)	IP31	100/120 V 50/60 Hz	15.2/19.7 V A	Green
322	QD	Conduit (1/2" NPSC)	IP31	24 V 50/60 Hz	23.1/17.2 V A	Green
323	QD	Conduit (1/2" NPSC)	IP31	24 V DC	20 W	Green
324	QD	Conduit (1/2" NPSC)	IP31	12 V DC	20 W	Green

GOYEN - RCA3 SOLENOID PILOT VALVES

PRODUCT LEAFLET

3DS - PILOT VALVE WITH INTEGRAL SILENCER AND DUST SHROUD TO MOUNT DIRECTLY TO DUST COLLECTOR DIAPHRAGM VALVE



CONSTRUCTION

Body: Al 2011-T3
Ferrule: 302 SS
Armature: 430FR SS
Encapsulation: PA-6
Insulation: Class B/130°C
Seals: Nitrile
Shroud: PA-6

OPERATION

Recommended on time range: 50–500 ms
Recommended time between pulses:
 1 minute or greater

OPTIONS

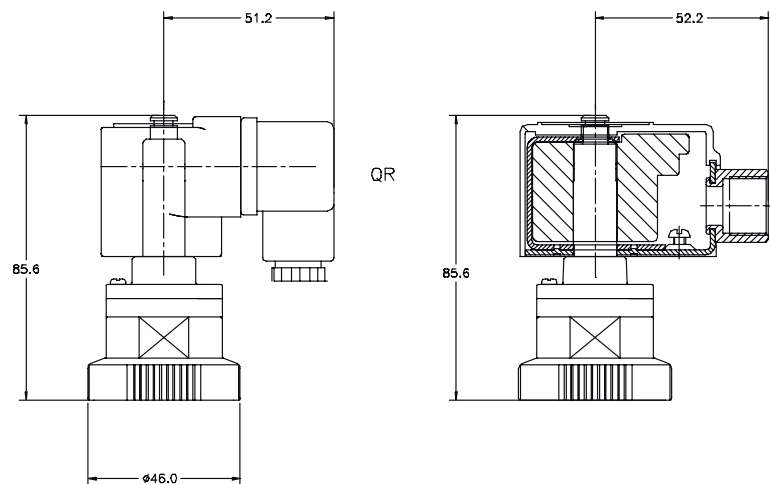
None

APPROVALS

- C-Tick
- EMC (89/336/CE)

DIMENSIONS AND WEIGHTS IN MM

SERIES	WEIGHT
3DS-0	0.096 kg/0.211 lb
3DS-300 to 3DS-306	0.246 kg/0.542 lb
3DS-310 to 3DS-324	0.266 kg/0.586 lb



SUITABLE FOR

RCAC20T3, RCAC20ST3, RCAC20DD3,
 RCAC20FS3, RCAC25T3, RCAC25DD3,
 RCAC25FS3 dust collector valves only.

INSTALLATION

Ensure o-ring is in place on diaphragm valve cover. Gripping the shroud, hand tighten 3DS pilot valve onto cover of diaphragm valve. For reliable operation, ensure supply voltage is within –10% and +15% of rated solenoid voltage. Solenoid is free to rotate on pilot valve. 3DS thread will suit 1/8 BSP T, 1/8 BSP P and 1 8 NPT ports. Replace pilot components within 1 million cycles (refer to Spare Parts).

PRODUCT PERFORMANCE

FLOW	MAXIMUM WORKING PRESSURE	MINIMUM WORKING PRESSURE	TEMPERATURE MIN	TEMPERATURE MAX	FLUID MEDIA
0.32 Cv/ 0.27 Kv	860 kPa/ 125 psi	0 kPa/0 psi	–40°C/–40°F	82°C/180°F	Air or inert gas

SPARE PARTS

K0380 Nitrile replacement seal, armature, spring & ferrule kit.
 K0384 As above in viton.

GOYEN - RCA3

SOLENOID PILOT VALVES

PRODUCT LEAFLET

ORDER CODE AND ELECTRICAL CHARACTERISTICS

3DS

MODEL	CONNECTION TYPE	PROTECTION CLASS	VOLTAGE	POWER
3DS-300	DIN 43650A	IP64	200/240 V 50/60 Hz	23.1 V A
3DS-301	DIN 43650A	IP64	100/120 V 50/60 Hz	19.8 V A
3DS-302	DIN 43650A	IP64	24 V 50/60 Hz	23.1 V A
3DS-303	DIN 43650A	IP64	110 V DC	24 W
3DS-304	DIN 43650A	IP64	48 V DC	20 W
3DS-305	DIN 43650A	IP64	24 V DC	20 W
3DS-306	DIN 43650A	IP64	12 V DC	20 W
3DS-310	Conduit (M20 × 1.5)	IP31	200/240 V 50/60 Hz	23.1 V A
3DS-311	Conduit (M20 × 1.5)	IP31	100/120 V 50/60 Hz	19.8 V A
3DS-312	Conduit (M20 × 1.5)	IP31	24 V 50/60 Hz	23.1 V A
3DS-313	Conduit (M20 × 1.5)	IP31	24 V DC	20 W
3DS-314	Conduit (M20 × 1.5)	IP31	12 V DC	20 W
3DS-320	Conduit (1/2" NPSC)	IP31	200/240 V 50/60 Hz	23.1 V A
3DS-321	Conduit (1/2" NPSC)	IP31	100/120 V 50/60 Hz	19.8 V A
3DS-322	Conduit (1/2" NPSC)	IP31	24 V 50/60 Hz	23.1 V A
3DS-323	Conduit (1/2" NPSC)	IP31	24 V DC	20 W
3DS-324	Conduit (1/2" NPSC)	IP31	12 V DC	20 W

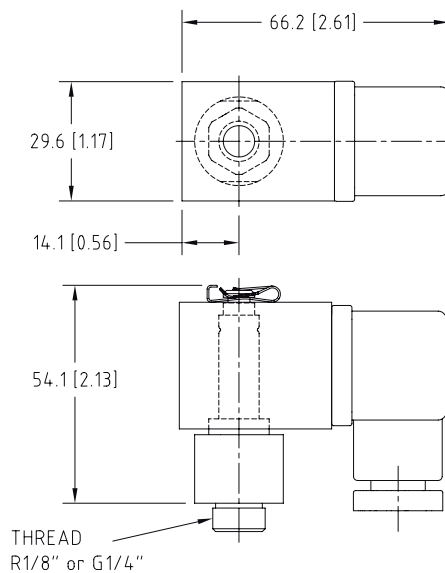
GOYEN - RCA3 SOLENOID PILOT VALVES

PRODUCT LEAFLET

RCA3PV/3PV2 - PILOT VALVE



DIMENSIONS IN MM (AND INCHES)



FOR INTEGRAL PILOT (CA) APPLICATIONS

The RCA3PV pilot is another option for integral pilot (CA) applications. The RCA3PV pilot is a screw-in pilot available in 1/8" and 1/4" port sizing.

RCA3DM and RCA3PV are suitable piloting options for all 4 Series valves and the RCA35T diaphragm valve.

COIL CONSTRUCTION

Encapsulation: Nylon
Insulation class: H /180°C
IP Rating: IP65
Rating: Non-continuous use only
Clip: Mild steel (mechanically plated))

OPERATION

Recommended on time range: 50–500 ms
Recommended time between pulses:
 1 minute or greater

APPROVALS

- CE - LV (2006/95/EC) - ROHS (2002/95/CE)

SPARE PARTS

No pilot valve overhaul kits are available for the RCA3PV pilot; however, coil kits are available as listed below:

- K0203 - Dual rating: 110 V DC 18 W or 220/240 V 50/60 Hz - kit includes coil, stabilus clip and washer.
- K0204 - Dual rating: 48 V DC 18 W or 115 V 50/60 Hz - kit includes coil, stabilus clip and washer.
- K0205 - Dual rating: 24 V DC 18 W or 48 V 50/60 Hz - kit includes coil, stabilus clip and washer.
- K0206 - Dual rating: 12 V DC 18 W or 24 V 50/60 Hz - kit includes coil, stabilus clip and washer.

GOYEN - RCA3 SOLENOID PILOT VALVES

PRODUCT LEAFLET

RCA3PV/3PV2 - HOW TO ORDER

RCA 3 PV 2 - 2 0 5	
Valve type RCA - Pilot valve - Remote-controlled air	Voltage options
Pilot size 3 - 1/8" Pipe thread	3 Dual rating: 110V DC 18 W or 220/240 V 50/60 Hz 46/37 VA
Body style PV - Male inlet, suits all RCA and RCAC main valves	4 Dual rating: 48 V DC 18 W or 115 V 50/60 Hz 63/53 VA
Thread type Blank - R1/8" thread 2 - G1/4" thread	5 Dual rating: 24 V DC 18 W or 48 V 50/60 Hz 41/32 VA
	6 Dual rating: 12 V DC 18 W or 24 V 50/60 Hz 38/31 VA
	Coil connection
	0 - Square DIN connector
	Coil series
	2 - DIN 43650 Form B connection

RCA3PV 2 - 203	
Valve type Remote Pilot valve	Coil series
Pilot size Blank - 1/8" 2 - 1/4" thread	Blank - Pilot only 203 } 204 } See table below for coil code. 205 } 206 }

PRODUCT PERFORMANCE

FLOW	MAXIMUM WORKING PRESSURE	MINIMUM WORKING PRESSURE	TEMPERATURE MIN.	TEMPERATURE MAX.	FLUID MEDIA
0.28 Cv/0.24 Kv	860 kPa/125 psi	0 kPa/0 psi	-40°C/-40°F	82°C/180°F	Air or inert gas

ELECTRICAL CHARACTERISTICS

DIN SOCKET CONNECTOR	Pg9 connection (cable entry)
DIN SOCKET SPECIFICATION	EN175301 - 803 (previously DIN 43650A) / A/ISO 4400
DIN SOCKET OPTIONAL	94/9/CE ATEX II 3GD T6
ISOLATION CLASS DIN SOCKET	VDE 0110 - 1/89
DIN SOCKET PROTECTION	IP65 EN60529

MODEL	TYPE	CONNECTION TYPE	PROTECTION CLASS	VOLTAGE	POWER	COLOUR
206	SB4	DIN 43650A	IP65	12 V DC (max. +10% supply)	18 W	Black
205	SB4	DIN 43650A	IP65	24 V DC (max. +10% supply)	18 W	Black
204	SB4	DIN 43650A	IP65	48 V DC (max. +10% supply)	18 W	Black
203	SB4	DIN 43650A	IP65	110 V DC (max. +10% supply)	18 W	Black
206	SB4	DIN 43650A	IP65	24 V 50/60 Hz (max. +10% supply)	38/31 VA	Black
205	SB4	DIN 43650A	IP65	48 V 50/60 Hz (max. +10% supply)	41/32 VA	Black
204	SB4	DIN 43650A	IP65	110/127 V 50/60 Hz (max. +10% supply)	63/53 VA	Black
203	SB4	DIN 43650A	IP65	220/240 V 50/60 Hz (max. +10% supply)	46/37 VA	Black



GOYEN CONTROLS PTY LIMITED

268 MILPERRA ROAD, MILPERRA NSW 2214, AUSTRALIA WWW.GOYENMECAIR.PENTAIR.COM

Note: The information and data contained in this document are based on our general experience and are believed to be correct. They are given in good faith and are intended to provide a guideline for the selection and use of our products. Since the conditions under which our products may be used are beyond our control, this information does not imply any guarantee of final product performance and we cannot accept any liability with respect to the use of our products. The quality of our products is guaranteed under our conditions of sale. Existing industrial property rights must be observed.
PL PENTAIR GOYEN SOLENOID PILOT VALVES 3517 © 2017 Pentair. All Rights Reserved.