

# GOYEN MECAIR DS SERIES

## DS SEQUENCER

### DESCRIPTION

The DS Sequencer is an economical and durable filter cleaning control solution, for smaller collectors.

The DS features a robust solid state construction for excellent reliability and is designed for ease of installation and operation. The On and Off times for the Cleaning Pulse can be simply adjusted through the use of rotary analogue dials, while the microprocessor ensures the accuracy of the settings. The DS delivers confidence in its robustness and function as it is backed by Goyen & Mecair's proven record within industry for reliability and quality construction.

### FEATURES

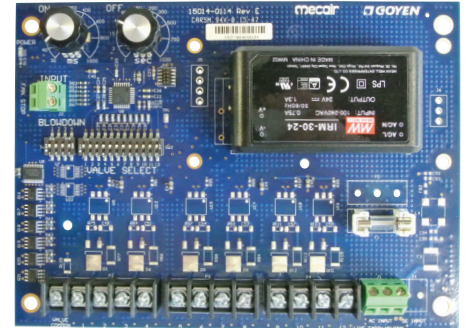
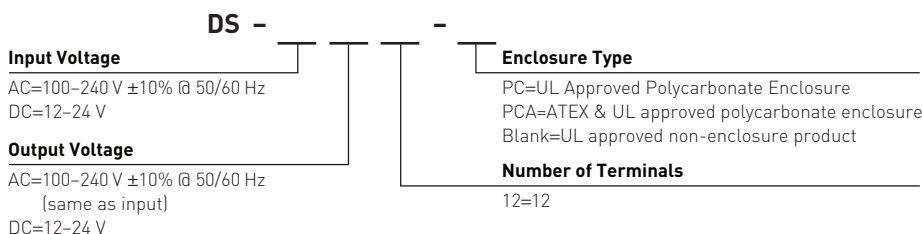
- Low cost with high performance and guaranteed reliability.
- Rotary Analogue Dials for quick and easy adjustment of pulse On time and Off time.
- Short circuit protection on each output.
- Simple to install and operate.
- Remote stop functionality and post-cleaning blow-down cycles.
- Conforms to the requirements of CE, FCC, RCM, UL and ATEX.

### TECHNICAL CHARACTERISTICS & PERFORMANCE

Input Voltage	AC: 100–240 V +/-10% @ 50/60 Hz DC: 12–24 V
Output Voltage	AC: 100–240 V +/-10% @ 50/60 Hz (same as input) DC: 12–24 V
Maximum Input Power	AC IN, AC OUT Model: 255 W AC IN, DC OUT Model: 25 W DC IN, DC OUT Model: 25 W
Discrete Solenoid Outputs	12 outputs
Enclosure	Polycarbonate or no enclosure
Humidity	20%–85% non-condensing
Maximum Altitude	2000 m (For higher, please consult manufacturer)
Protection Rating	PC Enclosure: NEMA 1, 4, 4X, 6, 12 & 13, IP66 PCA Enclosure: NEMA 1, 3, 3S, 4, 4X, 6, 6P & 12, IP66
Operating Temperature	Non ATEX approved products: –20°C to +60°C [–4°F to +140°F]  ATEX approved enclosure products: –20°C to +50°C [–4°F to +122°F]
ON & OFF Time	ON: 30 ms to 1000 ms, OFF: 1 s to 1000 s <b>Note:</b> Minimum OFF Time of 5 s is required in ATEX applications.
Inputs	Voltage Free: Fan Stop
Pollution Degree	For UL applications, product is suitable for pollution degree 2.

This device may be connected from a 3A rated MCB or ELCB protected branch circuit.

### ORDER CODE – DURO SEQUENCER



DS units inside a polycarbonate enclosure (PCA) have ATEX approval:



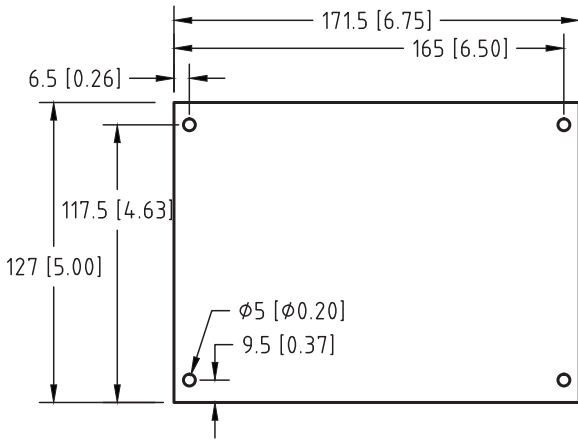
DS units inside a polycarbonate enclosure and non-enclosure units have cULus approval:



### ORDER CODE – ACCESSORIES

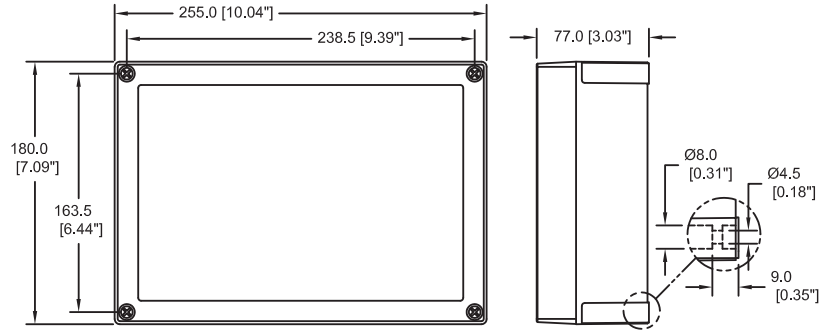
K-CPR-DIN (DS DIN Mounting Kit)

**PCB BOARD DIMENSIONS - mm [inch]**

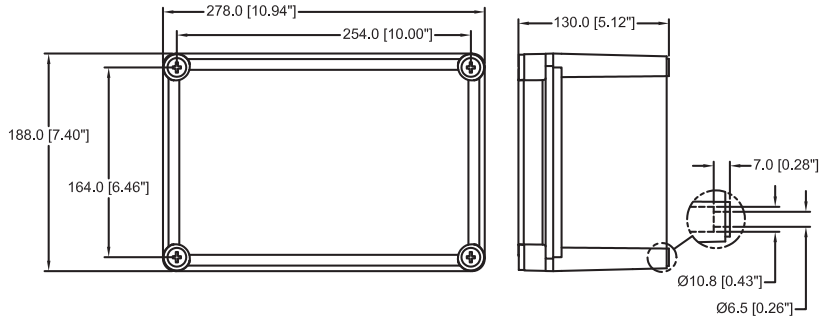


**ENCLOSURE DIMENSIONS - mm [inch]**

**Non-ATEX Approved Polycarbonate Enclosure**



**ATEX Approved Polycarbonate Enclosure**



WWW.GOYENMECAIR.PENTAIR.COM